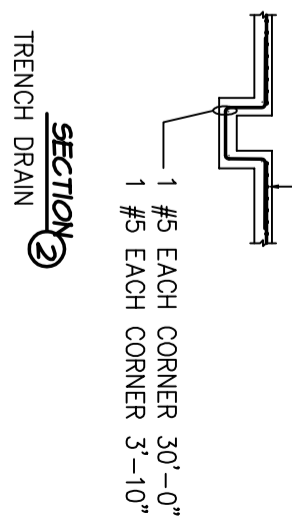
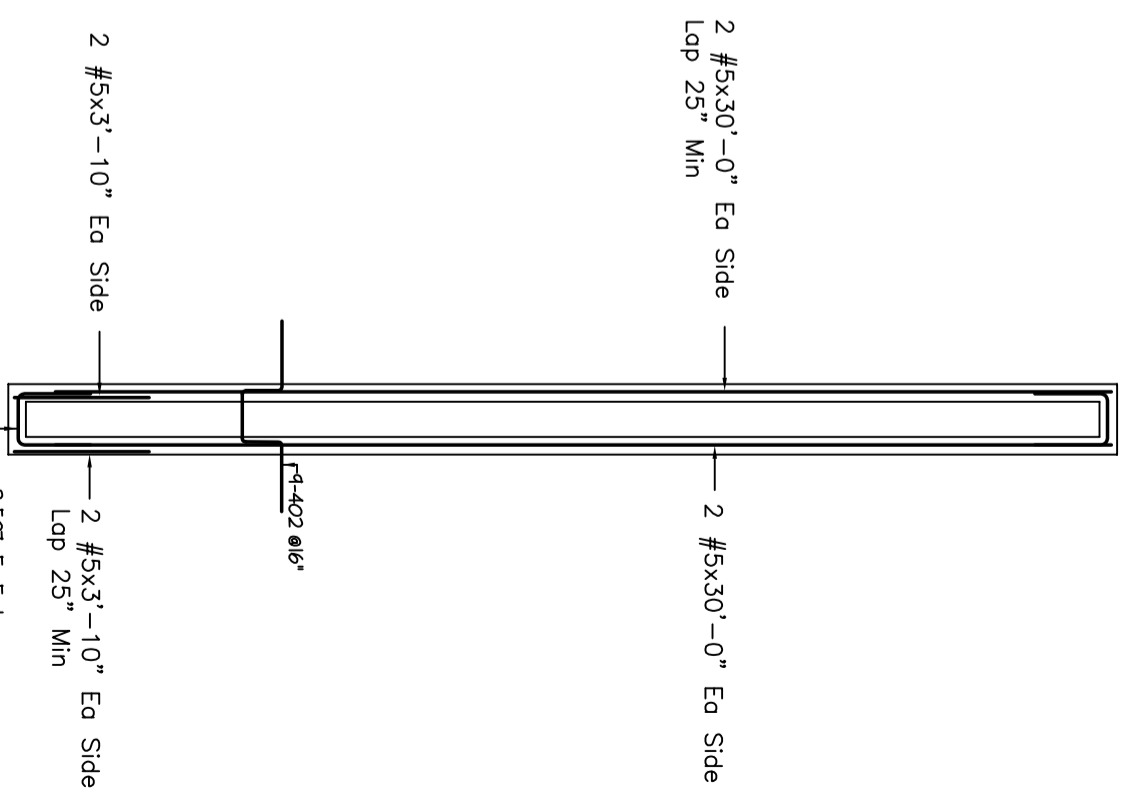
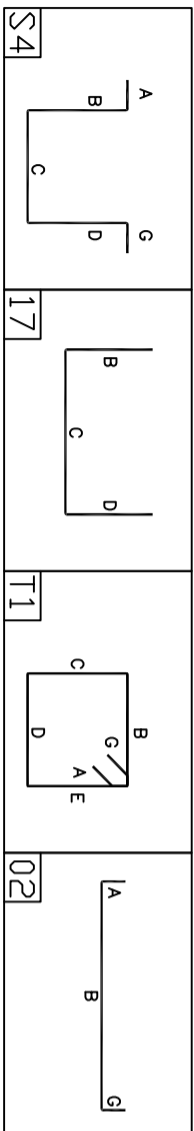


MAINTENANCE BUILDING 284,383lbs

BENDING DETAILS.

Bar Mark	Qty	Size	Total length	Type	A'	B'	C'	D'	E'	F'	G'	H'	J'	K'	O'	R'
*401	9 #4	12' 4 1/2"	S4	1' 6 1/2"	2' 8"	3' 6"	2' 8"	2' 0"	2' 0"	2' 0"	2' 0"					
402	9 #4	7' 10"	S4	2' 0"	1' 2"	1' 6"	1' 2"	1' 2"			2' 0"					
404	194 #4	5' 9"	T1	4 1/2"	1' 0"	1' 6"	1' 0"	1' 0"	1' 6"		4 1/2"	3"				
503	32 #5	5' 0"	T1		2' 6"	2' 6"										
505	18 #5	2' 10"	2	10"	2' 0"											
506	4 #5	7' 7"	T1		2' 1"	3' 5"	2' 1"									
507	4 #5	5' 8"	T1		2' 1"	1' 6"	2' 1"									

Release Code: *UNTTLED



FOR APPROVAL ONLY
NOT FOR CONSTRUCTION

ALL REINF. = A615, GRADE 60