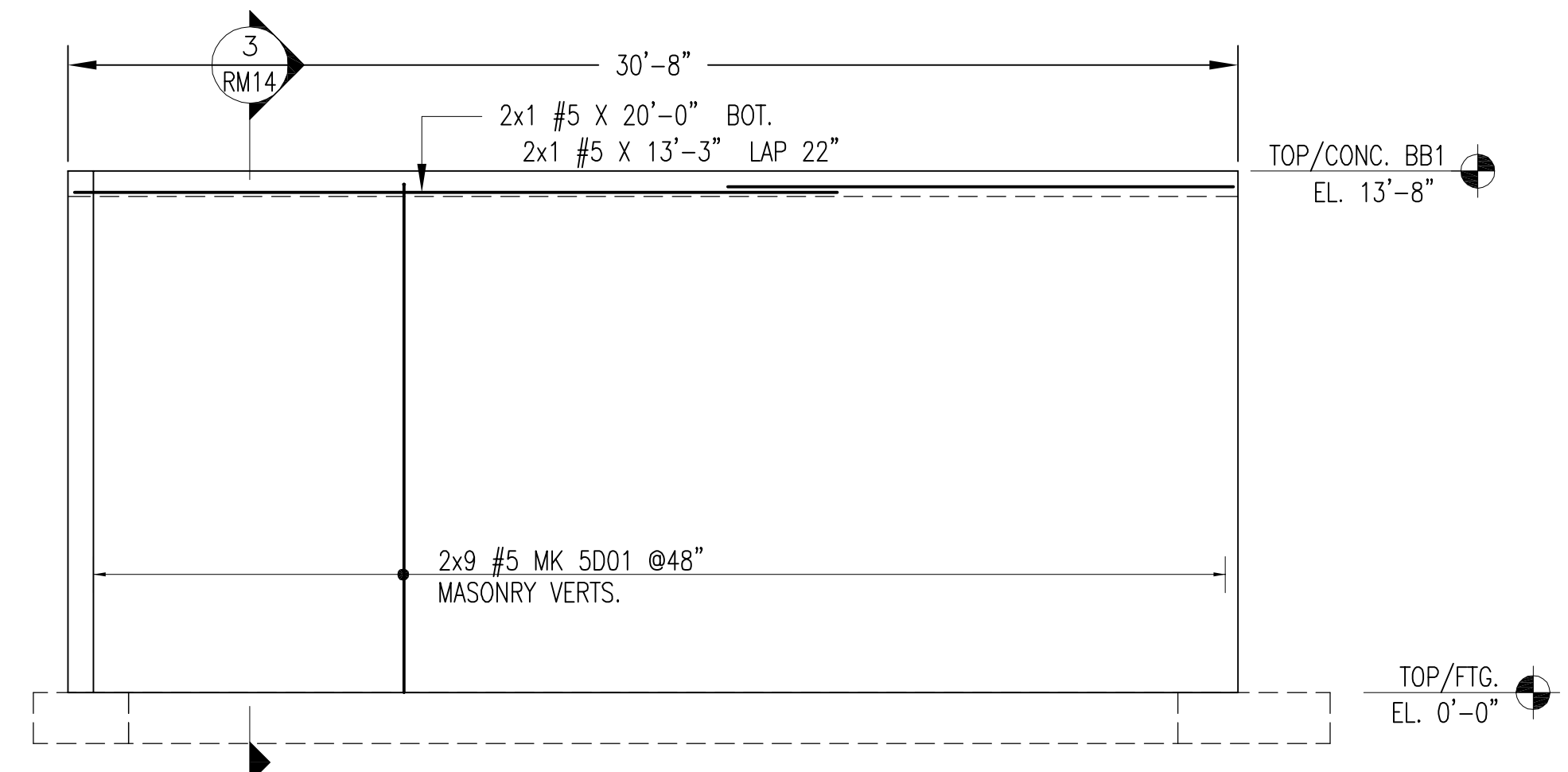
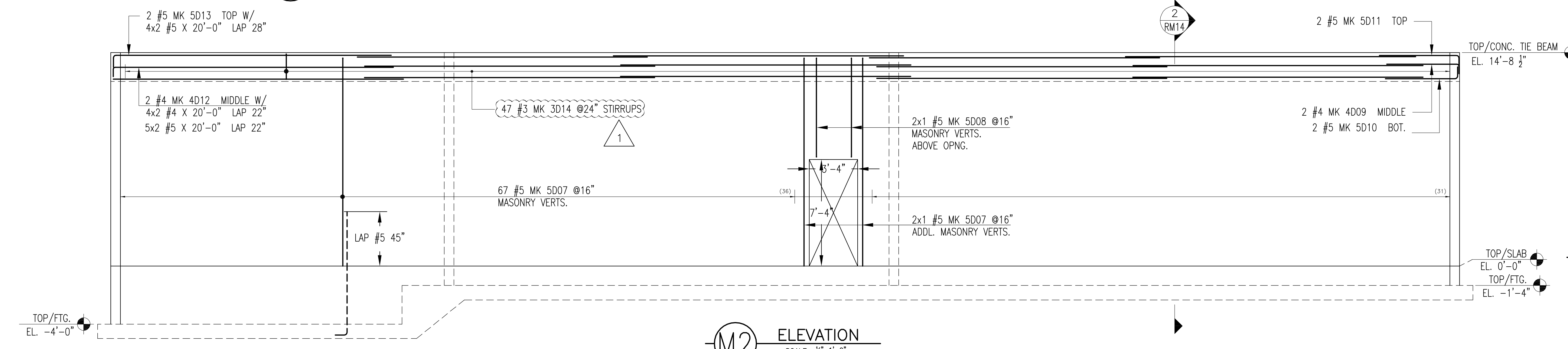


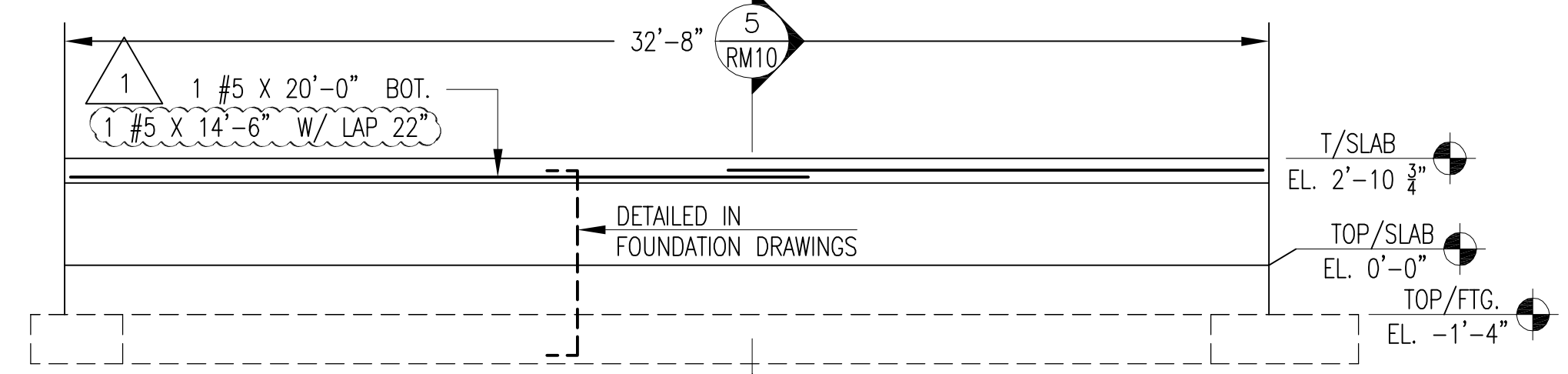
M1 ELEVATION
SCALE: 1/4"=1'-0"



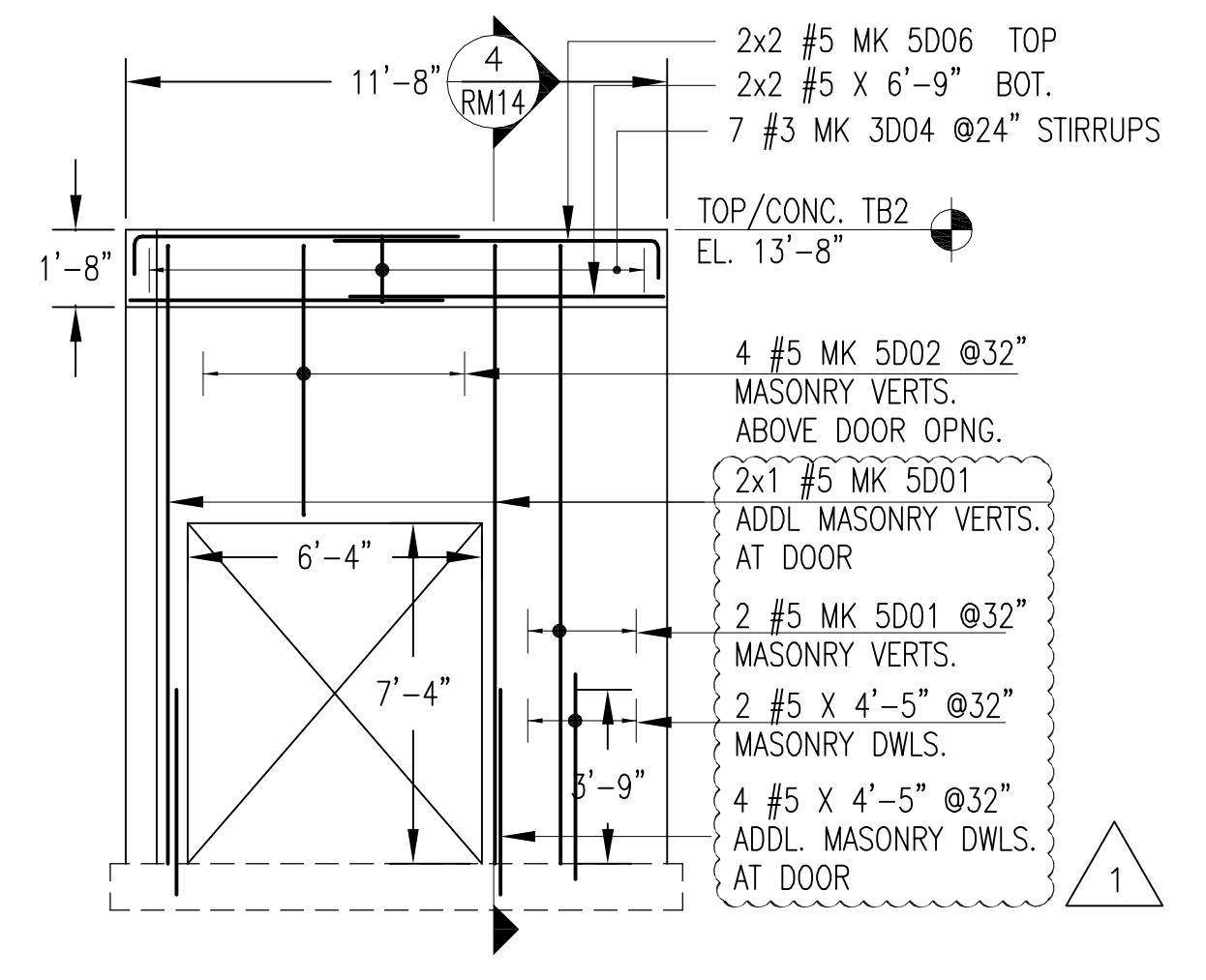
M5 ELEVATION
SCALE: 1/4"=1'-0"
(2 REOD.)



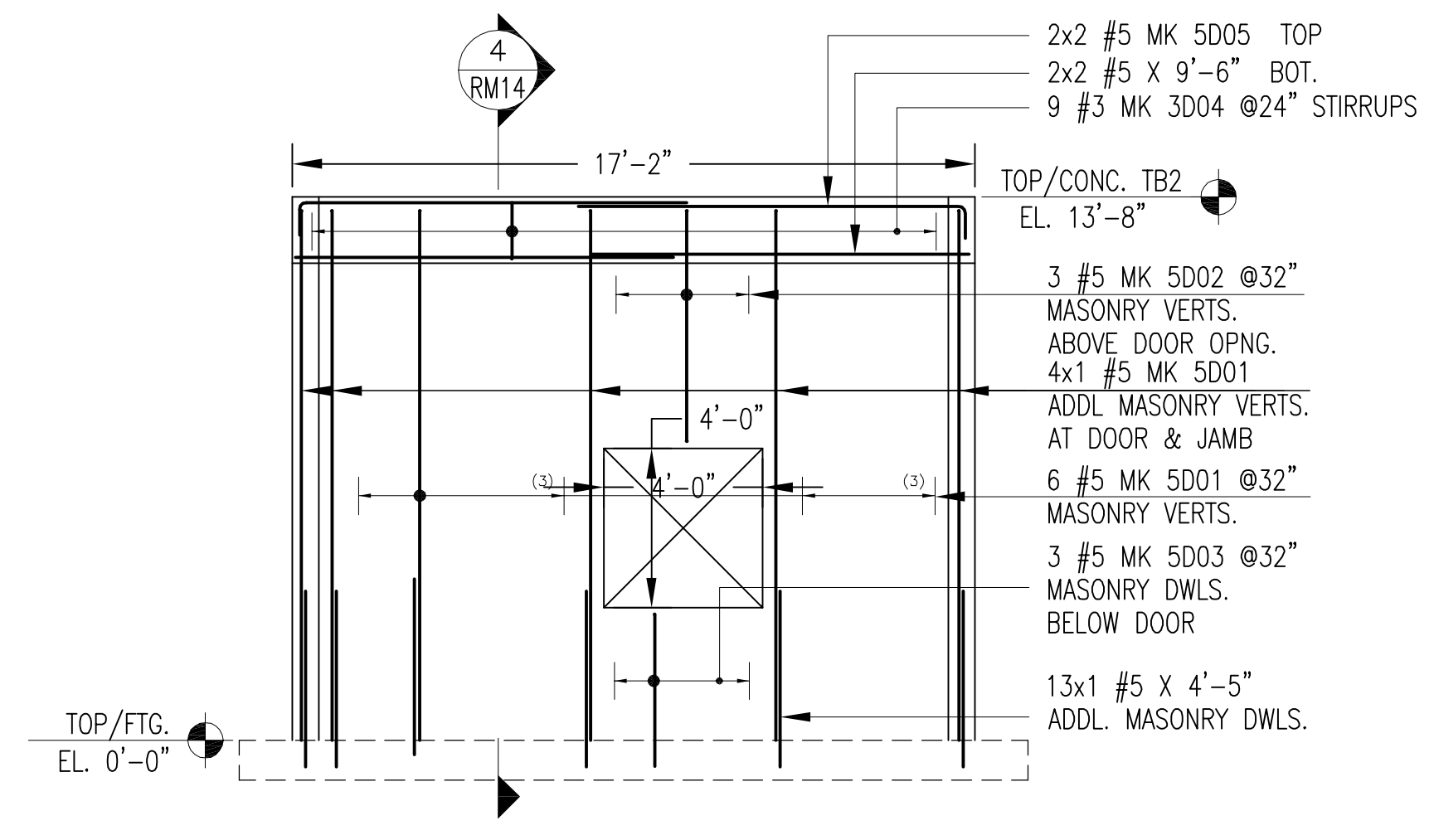
M2 ELEVATION
SCALE: 1/4"=1'-0"



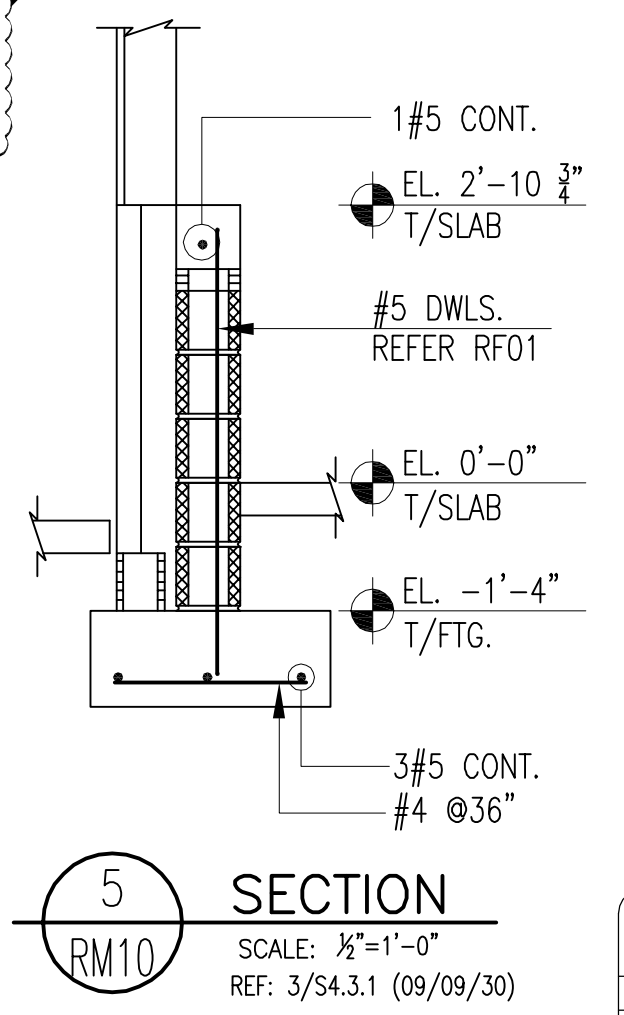
M4 ELEVATION
SCALE: 1/4"=1'-0"



M6 ELEVATION
SCALE: 1/4"=1'-0"

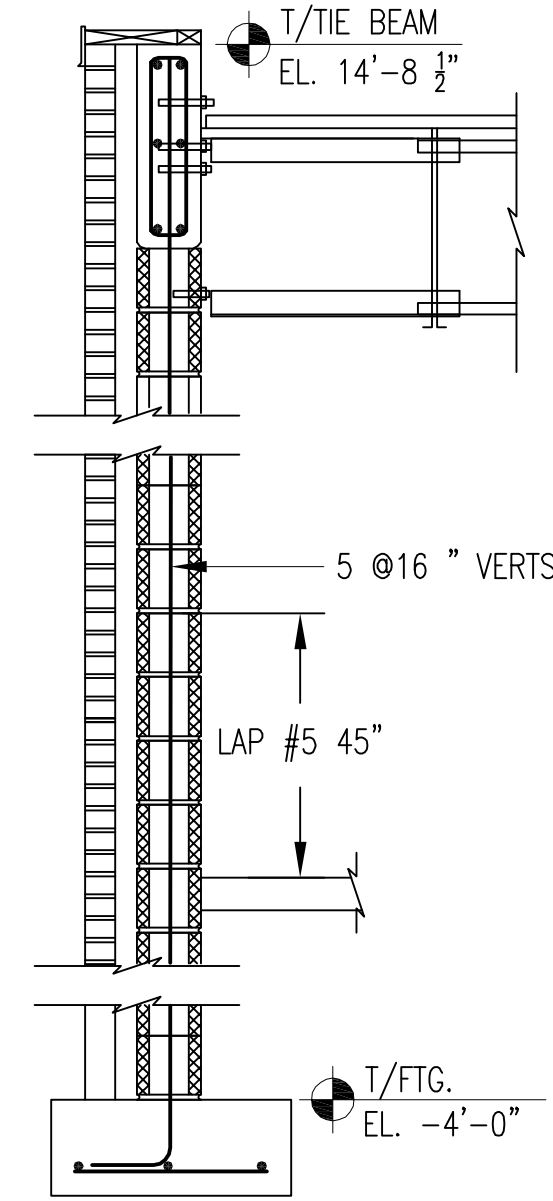


M7 ELEVATION
SCALE: 1/4"=1'-0"

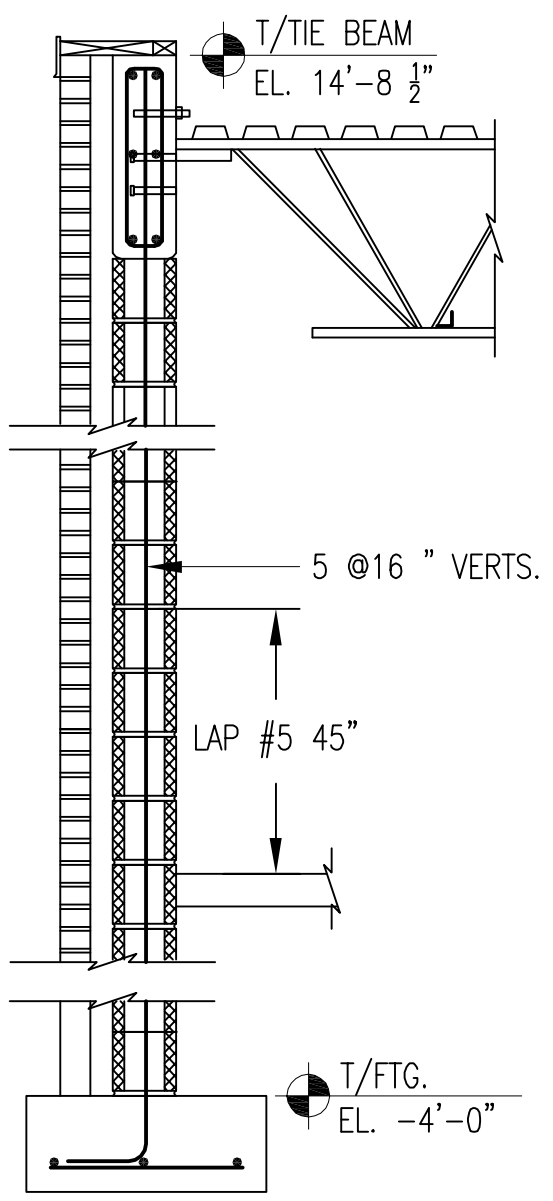


5 SECTION
SCALE: 1/2"=1'-0"
REF: 3/54.3.1 (09/09/30)

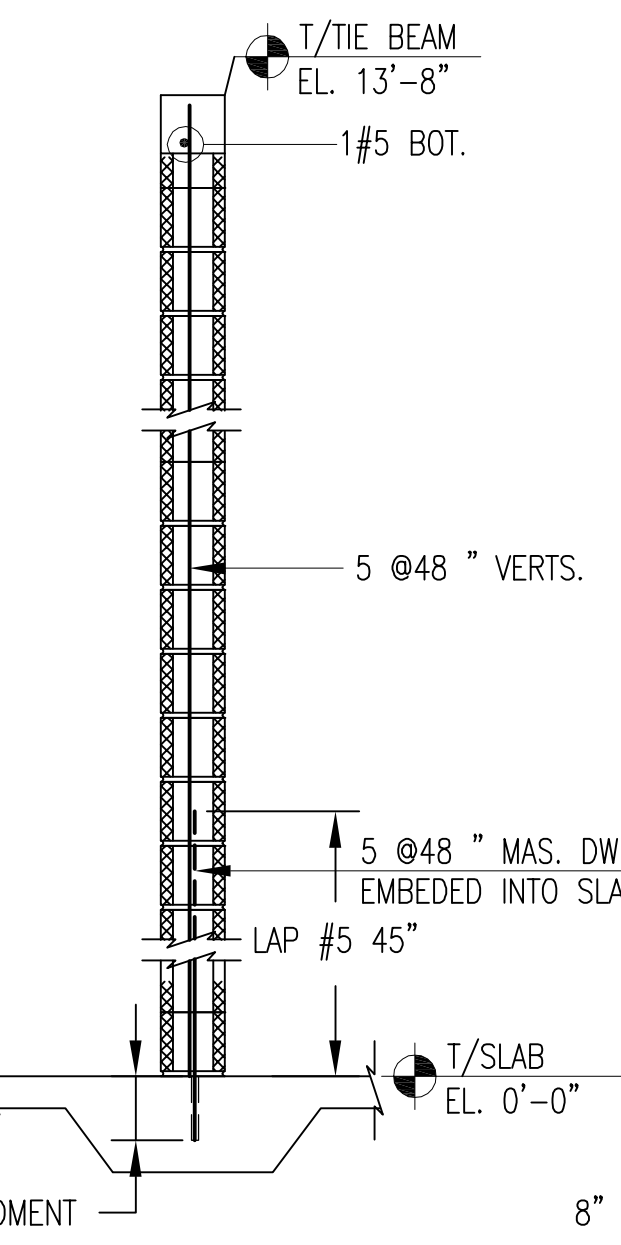
BENDING DETAILS																
Release Code: MAS. REINF. RF-10																
Bar Mark	Qty	Size	Total Length	Type	"A"	"B"	"C"	"D"	"E"	"F"	"G"	"H"	"J"	"K"	"O"	"R"
5D01	32	#5	14'-2"	2	0'-10"	13'-4"										
5D02	7	#5	7'-6"	2	0'-10"	5'-10"					0'-10"					
5D03	3	#5	4'-8"	2	0'-10"	3'-10"										
3D04	16	#3	4'-3"	T2	0'-4"	0'-4 1/2"	1'-5"	0'-4 1/2"	1'-5"		0'-4"					
5D05	4	#5	10'-7"	2	0'-10"	9'-9"										
5D06	4	#5	7'-10"	2	0'-10"	7'-0"										
5D07	92	#5	15'-2"	2	0'-10"	14'-4"										
5D08	2	#5	8'-6"	2	0'-10"	6'-10"					0'-10"					
4D09	2	#4	5'-8"	2	0'-8"	5'-0"										
5D10	2	#5	5'-10"	2	0'-10"	5'-0"										
5D11	2	#5	6'-4"	2	0'-10"	5'-6"										
4D12	4	#4	20'-0"	2	0'-8"	19'-4"										
5D13	4	#5	20'-0"	2	0'-10"	19'-2"										
3D14	63	#3	4'-11"	T2	0'-4"	0'-4 1/2"	1'-9"	0'-4 1/2"	1'-9"		0'-4"					
4D15	2	#4	13'-11"	2	0'-8"	13'-3"										
5D16	2	#5	14'-7"	2	0'-10"	13'-9"										



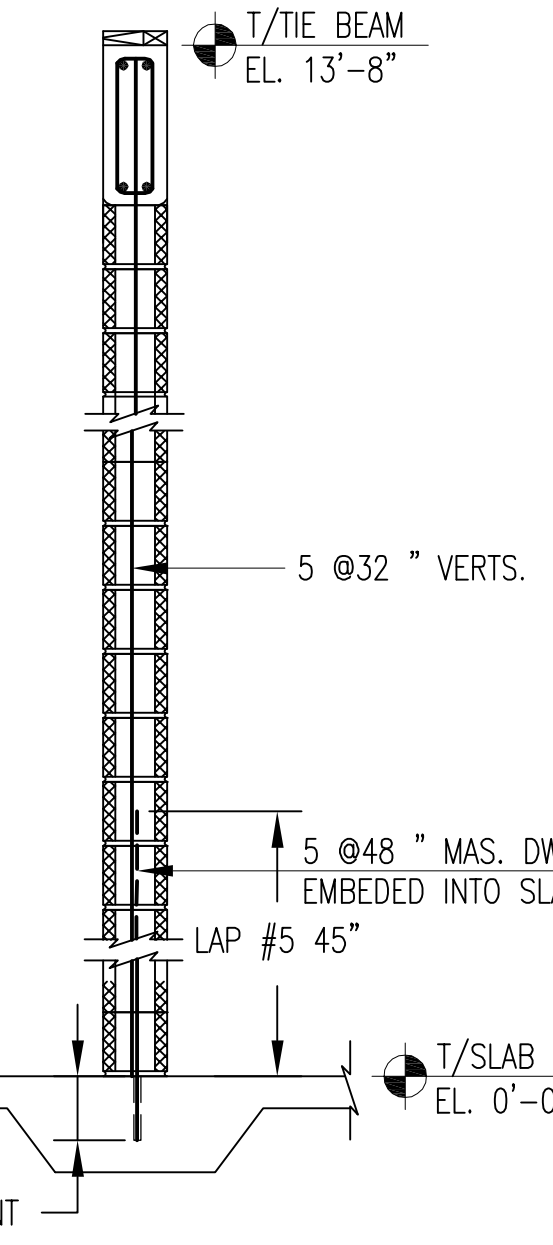
1 SECTION
SCALE: 1/2"=1'-0"
REF: 1/54.0.2 & 4/57.3.1 (09/09/30)



2 SECTION
SCALE: 1/2"=1'-0"
REF: 1/54.0.2 & 3/57.3.1 (09/09/30)



3 SECTION
SCALE: 1/2"=1'-0"
REF: 1/54.0.2 (09/09/30)



4 SECTION
SCALE: 1/2"=1'-0"
REF: 1/54.0.2&1/57.3.1 (09/09/30)

LAP FOR MASONRY

LAP CHART-U.N.O.

Bar Mark	Size	Top Bars	Other Bars
#11			
#10			
#9			
#8			
#7			
#6	54"		
#5	45"		
#4	36"		
#3			

FIELD PRINT

NOTE:
1) FOR KEY PLAN REFER RM09

THIS DRAWING TO BE USED FOR REBAR PLACEMENT ONLY

TITLE			
MAS. WALL ELEVATIONS AND SECTIONS			
PROJECT			
CUSTOMER			
REV	REVISION DESCRIPTION	DATE	DWG #
1	FOR FIELD USE	05/11	RM10
0	FOR APPROVAL	04/09	RM10
2 OF 4		2212-7002	RM10